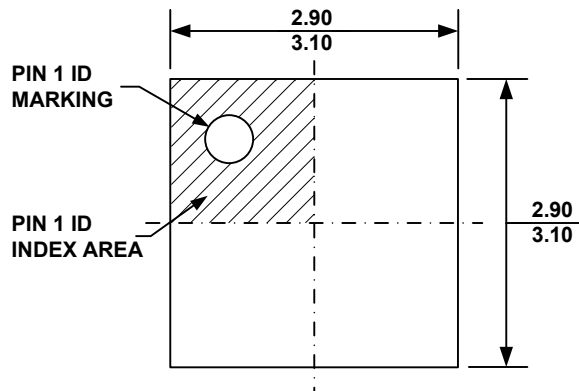
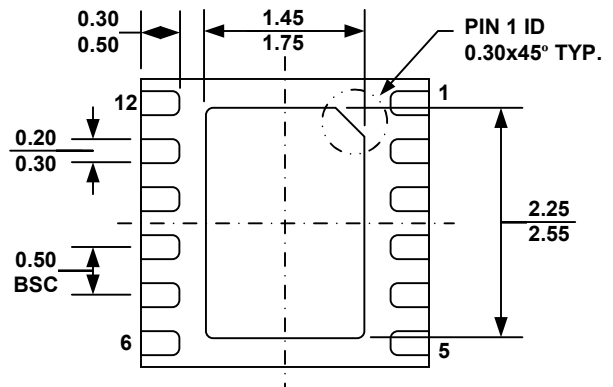


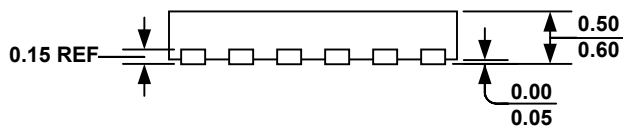
PACKAGE OUTLINE DRAWING FOR 12L UTQFN (3x3mm)
MF-PO-D-0079 revision 0.0



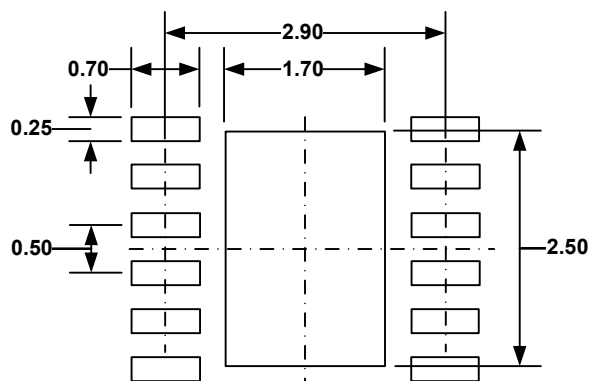
TOP VIEW



BOTTOM VIEW



SIDE VIEW



RECOMMENDED LAND PATTERN

NOTE:

- 1) ALL DIMENSIONS ARE IN MILLIMETERS.
- 2) EXPOSED PADDLE SIZE DOES NOT INCLUDE MOLD FLASH.
- 3) LEAD COPLANARITY SHALL BE 0.10 MILLIMETER MAX.
- 4) JEDEC REFERENCE IS MO-229, VARIATION VEED-5.
- 5) DRAWING IS NOT TO SCALE.